



JP COLLEGE Chronicle

"Reach for the Stars"

Monthly Newsletter
July '18
Volume VI, Issue XII

கடுமையான உழைப்பே மக்களை

வறுமையில் இருந்து மீட்கும்.

சமதர்ம சமுதாயம் மலர

வன்முறை தேவையில்லை.

கல்வியும், உழைப்பும் போதுமானது.

- காந்தராஜர்



கடுமையான உழைப்பே

*Dream is not the thing you see in sleep
but is that thing that doesn't let you sleep
-Dr. Abdul Kalam*

JP COLLEGE OF ENGINEERING

Patron

Rev.Fr.Dr. J. E. ARUL RAJ, Founding Father & Chairman

Patroness

Rev. Sr. S.GNANA SELVAM, Managing Trustee

Co-Patroness

Rev. Sr. I. Arockia Mary, Correspondent

Chief Advisor

Dr. R. Palaniyandi, Director (QM)

Advisor

Rev. Sr. P. PRADEEBA Administrator JP College of Engineering

Co-Advisor

Dr. M. RAJ KUMAR Principal JP College of Engineering

EXECUTIVE EDITORS

Prof. M. PALANI, HOD (CIVIL)

Prof. N. SENTHIL MURUGAN, HOD (CSE)

Prof. T. MANOJ KUMAR, HOD (EEE)

Prof. M. SHENBAGAVALI, HOD (ECE)

Prof. SIDHARDHAN, HOD (MECH)

Prof. SIVADHASAN, HOD(S&H)

Editorial Team Members

Mr.RAMAR KALANJAM, AP/ CIVIL

Mrs. N.PAPPU SIVANANTHAM, AP/CSE

Mrs. T.VIJI, AP/ECE

Ms. SORNA SARASWATHY, AP/EEE

Mr. D. S. SAMUVEL PREMKUMAR, AP/MECH

Mr. AROCKYA STALIN, AP/S&H



HOLY FATHER'S MESSAGE



Dear Brothers and Sisters,

“Carrying Jesus, the Madonna also brings us a new joy, full of meaning; she brings us a new ability to pass with faith through the most painful and difficult moments; she brings us the capacity for mercy, forgiveness, understanding and supporting one another,” the Pope said Aug. 15.

Mary, he said, “is the model of faith and virtue,” and in contemplating her Assumption into Heaven, we give her thanks “because she always precedes us on the pilgrimage of life and of faith.”

We are also able to ask that she “guard us and sustain us, that we may have a strong faith, joyful and merciful; that she help us to be holy, to meet her, one day, in paradise,”

+POPE FRANCIS

MOTIVATION PROGRAM

Motivation Program was conducted by Mrs.Kavitha, Academic Secretary for the II year CSE, ECE and EEE students in morning session and afternoon session for MECH and CIVIL students on 02.07.18 and 05.07.18 for III year students.



PLACEMENT TRAINING PROGRAM

Soft skill training was conducted by “**WAYS OPEN**” From chennai for our Final year students from 10.07.2018 – 14.07.18 to improve ability to face the campus interview without any trouble.



RESULT ANALYSIS MEETING

- Result analysis meeting was organized at chairman office on 12.07.18.
- In that meeting APR/MAY 2018 results were analyzed and also discussed how to improve their upcoming semester results.



CAMPUS DRIVE

Campus drive was conducted on 20th July 18 in our college premises “Mitsuba Sical Pvt.Ltd, Chennai” in which the following students were selected.

- Mr.Manikandan.G (MECH)
- Mr.Kanthakuamr (MECH)
- Ms.Kavitha (ECE)
- Ms.Muneeswari (ECE)
- Ms. Natchathiram @ Nandhini(ECE)
- Abirami(EEE)
- Thilaga(EEE)
- Gnana Ponmathi(EEE)
- Sharmila(EEE)
- Sherin Farihan(EEE)



NPTEL COURSE TRAINING PROGRAM

- NPTEL course training program was conducted for the third and final year Topper students.
- Program was organized by Mr.Sidhardhan HOD/MECH on 21.07.18.



MOTIVATION PROGRAM

Dr.M.Rajkumar Principal/JP College of Engineering motivated the students to get good marks in university examination & to maintain self-discipline on 31.07.18.



UNIVERSITY TOPPERS

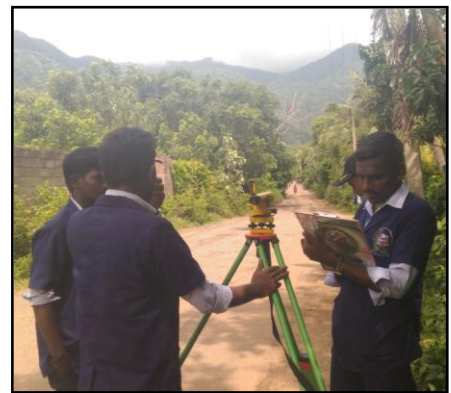
On behalf of our management , Principal,Staff members we congratulate all the toppers of our institutions whose exams were conducted in APR/MAY 2018.



DEPARTMENT OF CIVIL

SURVEY CAMP

Our Civil department conducted survey camp for IIIrd year students at “COURTALLAM” from 03-07-2018 to 06-07-2018.



MOTIVATIONAL CLASS

- Mr. Palani, HOD/ Civil taken motivation class for IInd year students on 06-07-2018.

EXTRA CURRICULAR ACTIVITY

- On 14-06-2018, Mohamed Ismail (IIIrd Year student) taking “VASTHU” class at our college Auditorium.



- IIIrd Year students did Storytelling activity on 14-06-2018 at our college Auditorium.



- On 21-06-2018, our department students involved different activities like Drama, Singing, Storytelling, Dubsmash and Comedy.

DEPARTMENT OF CSE

ASSOCIATION HOURS - MOTIVATIONAL VIDEOS



The students were shown the motivational videos about Google CEO Sundar Pitchai and Dhirubai Ambani for inspiration by the faculties Mr.M.Venkatram, Mrs.M.Fathima on 14.07.18.

SPORTS ACTIVITIES



Sports activities were conducted by CSE department on 21.07.18. The girls participated in throw ball, chess, badminton, carom and other games.



The boys participated in throw ball and other games

DEPARTMENT OF ECE

ACTIVITIES

Activities were conducted for our department II and III Year students on 21/07/18(Saturday). On Technical presentation was conducted in the afternoon session for the II and III year students.

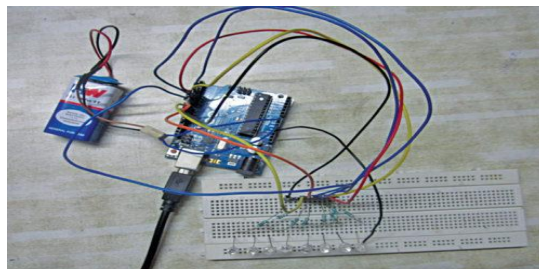
Year	Name of the Students	Topic
III YEAR	P.RASATHI,SANGEETHA	PUZZLES
	M.BENISHBA,Y.JEBI AXAL	HOW TO IMPROVE COMMUNICATION SKILL?
	KALAVATHI.S,ARUL BENISHA.I	MOTIVATIONAL VIDEOS

Year	Name of the Students	Topic
II YEAR	SANTHIYA.S,GAYATHRI.T	PUZZLES
	MISHMA.J,DIVYA.M	IMPORTANCE OF STUDIES
	VARSHA DEVI.T	
	ESSAKKIAMMAL.K	3G AND 4G TECHNOLOGIES

Light Animations Using Arduino and MATLAB

Light animations are visually appealing and hence widely used for advertising purposes. In this project, we present a MATLAB-based graphical user interface (GUI) approach to control the glowing pattern of a number of light-emitting diodes (LEDs). Use of GUI is advantageous since the user can control illumination patterns while performing other tasks in the PC.

This project creates five different lighting patterns including ring counter and Johnson counter by clicking appropriate pushbuttons in the GUI.



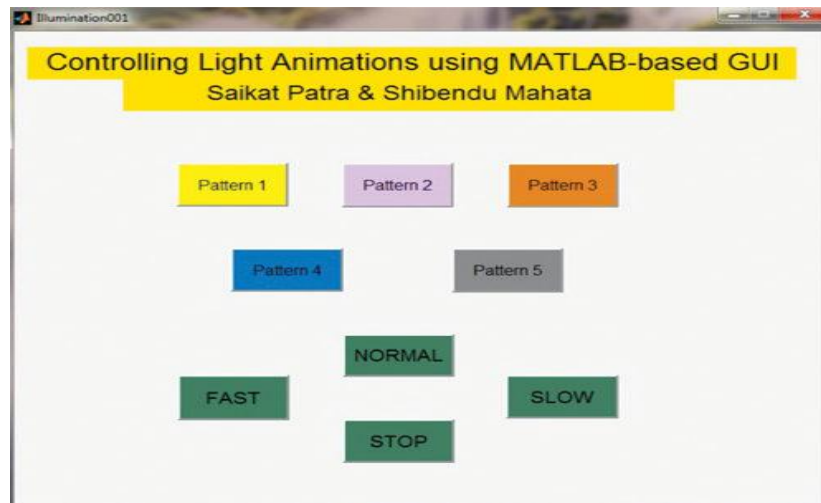


Fig. 2: MATLAB-based GUI

Circuit and working of Light Animations Project

The circuit for controlling light animations using Arduino is shown in Fig. 3. It consists of an [Arduino Uno board](#), eight LEDs and eight 1-kilo-ohm resistors.

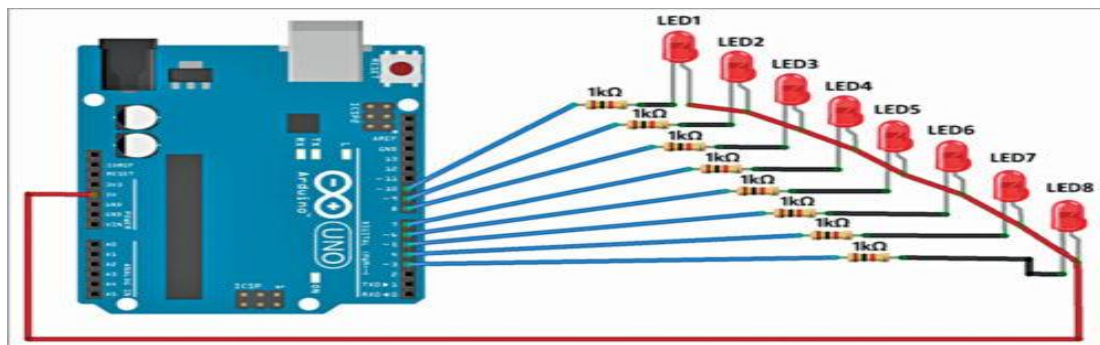


Fig. 3: Circuit diagram of the project

Arduino Uno is an AVR ATmega328P microcontroller based development board with six analogue input pins and 14 digital input/output (I/O) pins. The microcontroller has 32kB of ISP flash memory, 2kB RAM and 1kB EEPROM. The board provides serial communication via UART, SPI and I2C. The microcontroller can operate at a clock frequency of 16MHz. In this project, digital I/O pins 3 through 10 of the Arduino are configured as output pins and used to control the illumination of eight LEDs.

When a pushbutton corresponding to a particular pattern is pressed in the GUI, it executes the corresponding callback function in the source program (Illumination001.m.) The callback function executes program statements corresponding to that pattern and sends High or Low control signals to appropriate pins of the Arduino in order to create the desired glowing pattern. Eight series-connected 1-kilo-ohm resistors limit current flow through LEDs.

Software

We used Arduino IDE to program the Arduino Uno. The latest IDE can be downloaded for free from Arduino's official website. After download, install the Arduino IDE and note the installation directory.

Download 'Legacy MATLAB and Simulink Support for Arduino' package from Mathworks website. Extract the compressed folder named ArduinoIO. From ArduinoIO folder, copy pde folder and paste it in C:\Program Files(or Program files x86)\Arduino\libraries. (The path may be different depending on the installation directory of the IDE). After pasting pde folder in the correct location, open Arduino IDE. If you have pasted the folder in the correct location, you can find pde in File->Examples->pde. Open the code by proceeding as follows: File->Examples->pde->adioes

Connect the Arduino Uno board to your PC. From Device Manager, note the COM port at which the Arduino Uno board is connected. From Tools menu in the Arduino IDE, select the board as Arduino Uno, and the COM Port number noted earlier. Upload adioes code to the Arduino Uno board by pressing Upload button in the IDE.

Now copy the entire content of the extracted ArduinoIO folder to a folder in My Documents (in Windows PC).

This GUI application program has been developed in R2014a version of MATLAB. After installing this MATLAB version in your PC, open the file install_arduino.m present in the directory where you copied contents of ArduinoIO folder. Now run the install_arduino.m file. This code will correctly install and save the path of the Arduino support package. Open the source code file (Illumination001.m) for this project. Edit the line a=arduino('COM9') with the COM port number in your PC where the Arduino Uno board has been connected. When you run the project file, MATLAB will try to communicate with the board. After successful communication is established, you can control LEDs by pressing the corresponding pushbuttons in the GUI.

S.G.S.Kavitha

IV - ECE

DEPARTMENT OF EEE

WORKSHOP

- One day workshop was organized by EEE department of JP College of Engineering on 21.07.2018 in EEE seminar hall.
- Mr.S.Akbar,Trainer& Ms.ChithambaraValli,Trainer were the resource persons and the workshop was based on the topic “ Live Wire”



PLACEMENT

- On Campus Drive by MITSUBA SICAL,Chennai was conducted at JP College of Engineering, Tenkasi on 19.07.2018.
- Ms.Abirami, Ms.Shreen Farihan, Ms.Sharmila, Ms.Thilaka and Ms.Gnana Ponmathi of IV EEE got selected.



SATURDAY ACTIVITY

Mr.Sivadasan, HOD/S&H gave the lecture to the second and third year students about power point presentation.



EEE TOPPERS

HOD and staff members congratulated the university toppers by distributing sweets.



DEPARTMENT OF MECH

DEPARTMENT STAFF MEETING



- Department staff meeting was conducted by our HOD on 10.07.2018.
- Staff meeting was conducted for conducting Symposium and other activity on 20th July 2018.

STUDENTS HONORING



Second Year Students Mr. B.Srudhin Kumar [7.72 GPA] and Mr. S. Mano Backiyanathan [7.36 GPA] and Ms . G Tamilarasi [7.16 GPA] were honored by their class coordinator and HOD on 17th July 2018.

Third year students Mr. S.Muthu Raman [8.0 GPA], Mr.C Alagu Mari Murugan [7.88 GPA] Mr. U. Alameen [7.75 GPA] and Mr. Delbin Sebastian honored by their class coordinators and HOD on 17th July 2018.



Final year students Mr.M.Gomathi Sankar [8.88 GPA], Mr. S. Kantha kumar [8.58 GPA] & Mr.P. Ganesh Prabu [8.29 GPA] honored by their class coordinators and HOD on 17th July 2018.

PLACEMENT AWARENESS PROGRAM



Explanation about the placement coaching by **Mr.M. Prabakar** [Senior Adviser“InitiateTalent Training Centre] for Third year students on 20th July 2018.

GUEST LECTURE

Mr.B Prabu [9009610702] Asst.Professor of Mechanical Engineering Department from Kamaraj College of Engineering and Technology, Viruthunagar gave a Guest lecture on “**Engineering Thermodynamic**” for 63 Second year students.



DEPARTMENT OF S & H

BRIDGE COURSE

- The inaugural function of bridge course for the first year was held in JPCOE on 18.07.18.
- Program was organized by INNATE TALENT Chennai on 18.07.18 to 20.07.18.



MEETING FOR MOTIVATION

Rev. Sister. Administrator gave a motivational speech to the first year students of JP Engineering College on 24-07-2018. The students of all the sections participated in the program.



VISIT TO AMAR SEVA SANGAM

- First year students of JP Engineering College made a visit to AMAR SEVA SANGAM, Agarakattu on 30-31/07/2018. Staff accompanied them when they made the visit.
- They went to know Mr.S. Ramakrishnan's (Founder President of Amar Seva Sangam) contributions to the field of rehabilitation for persons with Disabilities.





Placement Drive



Bridge Course



Soft Skills Program